

PLANT SCHEDULE SHEETS C701 AND C702

TREES	QTY	BOTANICAL NAME	COMMON NAME	COND.	SIZE
AR	21	Acer rubrum 'Redpointe'	Redpointe Maple	B & B	2.5' Cal
AG	6	Amelanchier x grandiflora 'Autumn Brilliance' Multi-Stem	'Autumn Brilliance' Serviceberry	B & B	8' HT.
BH	7	Betula nigra 'Heritage'	Multi-Stem River Birch	B & B	8' HT.
JC	29	Juniperus virginiana 'Cupressifolia'	Hillspire Juniper	B & B	6' HT.
LT	8	Liriodendron tulipifera	Tulip Tree	B & B	2.5' Cal
MM	12	Magnolia x soulangiana	Saucer Magnolia Multi-Trunk	B & B	8' HT.
MB	3	Magnolia x 'Butterflies'	Multi-Stem Magnolia	B & B	8' HT.
MP	7	Malus x 'Prairifire'	Prairifire Crab Apple	B & B	1.5' Cal
PA	25	Picea abies	Norway Spruce	B & B	12' HT.
PD	42	Picea glauca 'Densata'	Black Hills Spruce	B & B	6' HT.
PO	37	Picea omorika	Serbian Spruce	B & B	12' HT.
PC	59	Picea pungens	Colorado Spruce	B & B	6' HT.
QR	34	Quercus rubra	Red Oak	B & B	2.5' Cal
SS	6	Syringa pekinensis TM	Peking Lilac	B & B	1.5' Cal
TG	11	Tilia cordata 'Greenspire'	Greenspire Littleleaf Linden	B & B	2.5' Cal
UM	10	Ulmus x 'Morton'	Accolade	B & B	2.5' Cal
UP	9	Ulmus x 'Princeton'	Princeton Elm	B & B	2.5' Cal

SHRUBS	QTY	BOTANICAL NAME	COMMON NAME	COND.	SIZE
BG	34	Buxus x 'Green Mountain'	Boxwood	CONT.	3 GAL.
EC	21	Euonymus alatus 'Compactus'	Compact Burning Bush	CONT.	24" HT.
HL	55	Hydrangea paniculata 'Little Lime'	Little Lime Hydrangea	CONT.	3 GAL.
HL2	59	Hydrangea paniculata 'Little Quick Fire'	Little Quick Fire Hydrangea	CONT.	3 GAL.
HD	22	Hydrangea paniculata 'Pink Diamond'	Pink Diamond Hydrangea	CONT.	36" HT.
HA	9	Hydrangea quercifolia 'Alice'	Alice Oakleaf Hydrangea	CONT.	36" HT.
IL	76	Itea virginica 'Little Henry' TM	Virginia Sweetspire	CONT.	24" HT.
JD	6	Juniperus x pfitzeriana Daubs Frosted	Daubs Frosted Juniper	CONT.	1 Gal.
JK	74	Juniperus x pfitzeriana 'Kally's Compact'	Juniper	CONT.	24" HT.
JS	106	Juniperus x pfitzeriana 'Sea Green'	Sea Green Juniper	CONT.	36" HT.
NR	10	Nepeta racemosa 'Walker's Low'	Catmint	CONT.	1 Gal.
PG	1	Picea pungens 'Glaucia Globosa'	Dwarf Globe Spruce	B & B	24" HT.
RR	13	Rosa x 'Knockout' TM	Rose	CONT.	24" HT.
ST	14	Spiraea betulifolia 'Tor'	Birchleaf Spirea	CONT.	3 GAL.
SM	57	Syringa meyeri 'Palibin'	Dwarf Korean Lilac	CONT.	3 GAL.
TD	42	Taxus x media 'Densiformis'	Dense Yew	CONT.	3 GAL.
TR	36	Taxus x media 'Runyan'	Yew	B & B	24" HT.
VR	22	Viburnum x rhytidophylloides 'Alleghany'	Alleghany Viburnum	B & B	36" HT.

GRASSES	QTY	BOTANICAL NAME	COMMON NAME	COND.	SIZE
PS	9	Panicum virgatum 'Shenandoah'	Switch Grass	CONT.	3 GAL.
PK	3	Pennisetum alopecuroides 'Karlay Rose'	Fountain Grass	CONT.	3 GAL.

GROUND COVERS	QTY	BOTANICAL NAME	COMMON NAME	COND.	SIZE
SA2	40	Sedum spectabile 'Autumn Fire' Plant 18" O.C.	Showy Stonecrop	Cont.	1 Gal.

PERENNIALS	QTY	BOTANICAL NAME	COMMON NAME	COND.	SIZE
CI	428	Carex x 'Ice Dance' Plant at 24" O.C.	Ice Dance Sedge	Cont.	1 Gal or 4" Pot
GR	14	Geranium x 'Rozanne' TM Plant at 24" O.C.	Hybrid Cranesbill	Cont.	1 Gal.
HO	499	Hemerocallis x 'Stella de Oro' Plants at 18" O.C.	Stella de Oro Daylily	Cont.	1 Gal.

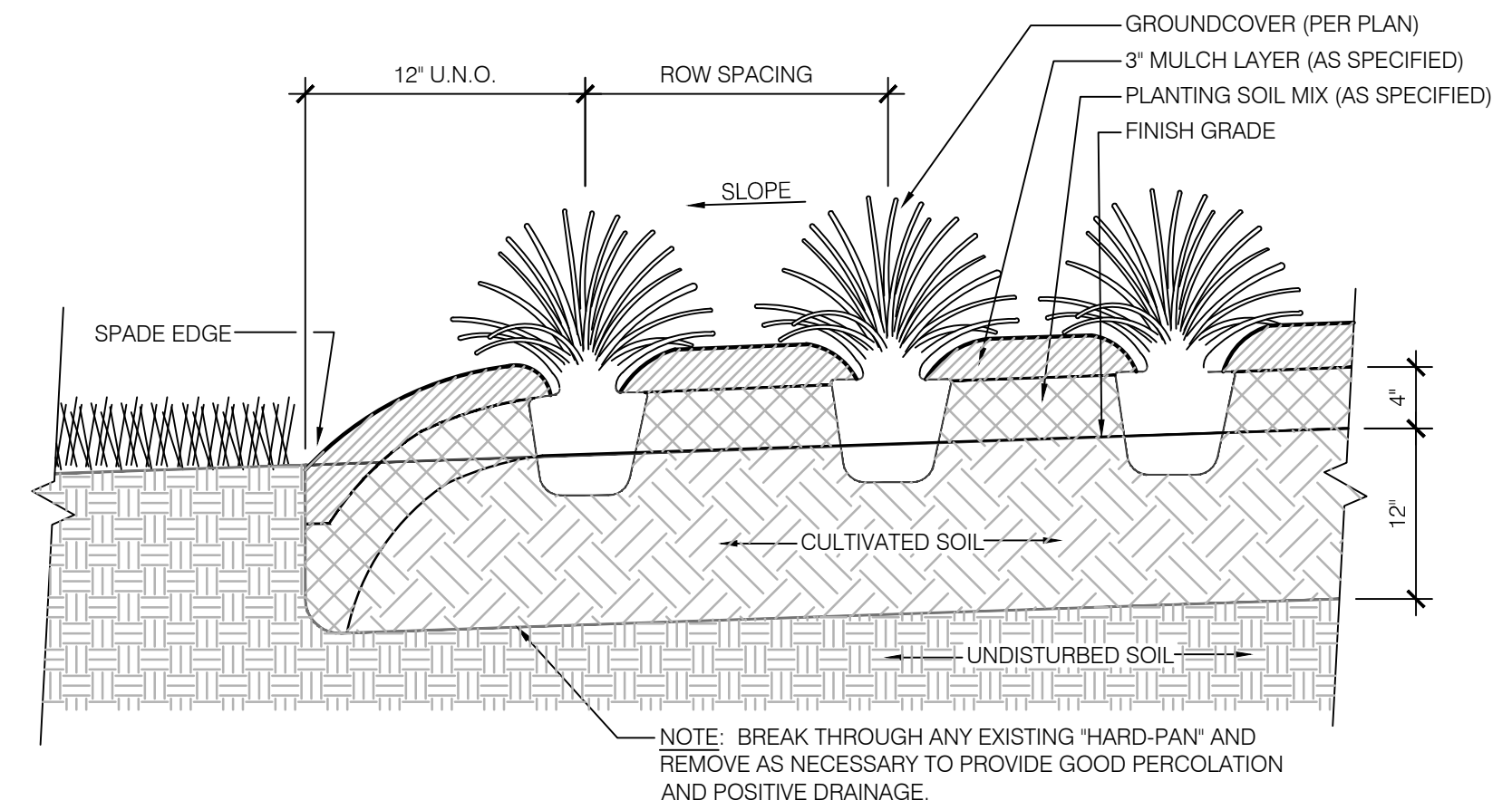
PLANT SCHEDULE SHEETS 703-707

TREES	QTY	BOTANICAL NAME	COMMON NAME	COND.	SIZE
AB	1	Acer palmatum 'Bloodgood'	Bloodgood Japanese Maple	Cont	6' HT.
AR	9	Acer rubrum 'Redpointe'	Redpointe Maple	B & B	2.5' Cal
AG	10	Amelanchier x grandiflora 'Autumn Brilliance' Multi-Stem	'Autumn Brilliance' Serviceberry	B & B	8' HT.
BH	3	Betula nigra 'Heritage'	Multi-Stem River Birch	B & B	8' HT.
CF	8	Cercis canadensis 'Forest Pansy' TM	Forest Pansy Redbud	B & B	1.5' Cal
CR	24	Cornus x 'Rutgan'	Stellar Pink Dogwood	B & B	1.5' Cal
MP	1	Malus x 'Prairifire'	Prairifire Crab Apple	B & B	1.5' Cal
PD	1	Picea glauca 'Densata'	Black Hills Spruce	B & B	6' HT.
PC	8	Picea pungens	Colorado Spruce	B & B	6' HT.
PF	11	Pinus flexilis 'Vanderwolf's Pyramid'	Vanderwolf's Pyramid Pine	B & B	6' HT.
QR	2	Quercus rubra	Red Oak	B & B	2.5' Cal
SS	19	Syringa pekinensis TM	Peking Lilac	B & B	1.5' Cal
TG	2	Tilia cordata 'Greenspire'	Greenspire Littleleaf Linden	B & B	2.5' Cal
UM	9	Ulmus x 'Morton'	Accolade	B & B	2.5' Cal
UP	2	Ulmus x 'Princeton'	Princeton Elm	B & B	2.5' Cal

SHRUBS	QTY	BOTANICAL NAME	COMMON NAME	COND.	SIZE
CV	2	Chamaecyparis pisifera 'Vintage Gold'	Vintage Gold False Cypress	CONT.	36" HT.
CH	42	Clethra alnifolia 'Hummingbird'	Summersweet	CONT.	3 GAL.
CA	206	Cornus sericea 'Artic Fire'	Artic Fire Dogwood	CONT.	3 GAL.
DN	5	Deutzia gracilis 'Nikko'	Slender Deutzia	CONT.	3 GAL.
EC	40	Euonymus alatus 'Compactus'	Compact Burning Bush	CONT.	24" HT.
FL	37	Forsythia x intermedia 'Lynwood Gold'	Lynwood Gold Forsythia	B & B	36" HT.
HB	6	Hydrangea paniculata 'Bulk'	Quickfire Hydrangea	CONT.	3 GAL.
HL	79	Hydrangea paniculata 'Little Lime'	Little Lime Hydrangea	CONT.	3 GAL.
HL2	133	Hydrangea paniculata 'Little Quick Fire'	Little Quick Fire Hydrangea	CONT.	3 GAL.
HD	2	Hydrangea paniculata 'Pink Diamond'	Pink Diamond Hydrangea	CONT.	36" HT.
HT	12	Hydrangea paniculata 'Tardiva'	Tardiva Hydrangea	B & B	Tree Form
HA	34	Hydrangea quercifolia 'Alice'	Alice Oakleaf Hydrangea	CONT.	36" HT.
IL	20	Itea virginica 'Little Henry' TM	Virginia Sweetspire	CONT.	24" HT.
JK	14	Juniperus x pfitzeriana 'Kally's Compact'	Juniper	CONT.	24" HT.
JS	40	Juniperus x pfitzeriana 'Sea Green'	Sea Green Juniper	CONT.	36" HT.
PN	8	Picea abies 'Nidiformis'	Nest Spruce	CONT.	24" HT.
PG	40	Picea pungens 'Glaucia Globosa'	Dwarf Globe Spruce	B & B	24" HT.
RR	52	Rosa x 'Knockout' TM	Rose	CONT.	24" HT.
ST	36	Spiraea betulifolia 'Tor'	Birchleaf Spirea	CONT.	3 GAL.
SB	13	Spiraea x bumalda 'Anthony Waterer'	Anthony Waterer Spirea	CONT.	24" HT.
SM	33	Syringa meyeri 'Palibin'	Dwarf Korean Lilac	CONT.	3 GAL.
TD	581	Taxus x media 'Densiformis'	Dense Yew	CONT.	3 GAL.
TE	253	Taxus x media 'Everlow'	Yew	CONT.	24" Spread
TR	120	Taxus x media 'Runyan'	Yew	B & B	24" HT.
VC	188	Viburnum carlesii 'Compactum'	Korean Spice Viburnum	CONT.	3 GAL.
VV	5	Viburnum x burkwoodii 'Mohawk'	Mohawk Viburnum	CONT.	5 Gal.
WD	6	Weigela florida 'Dark Horse'	Weigela	CONT.	3 GAL.
WS	3	Weigela florida 'Spilled Wine'	Spilled Wine Weigela	5 gal	

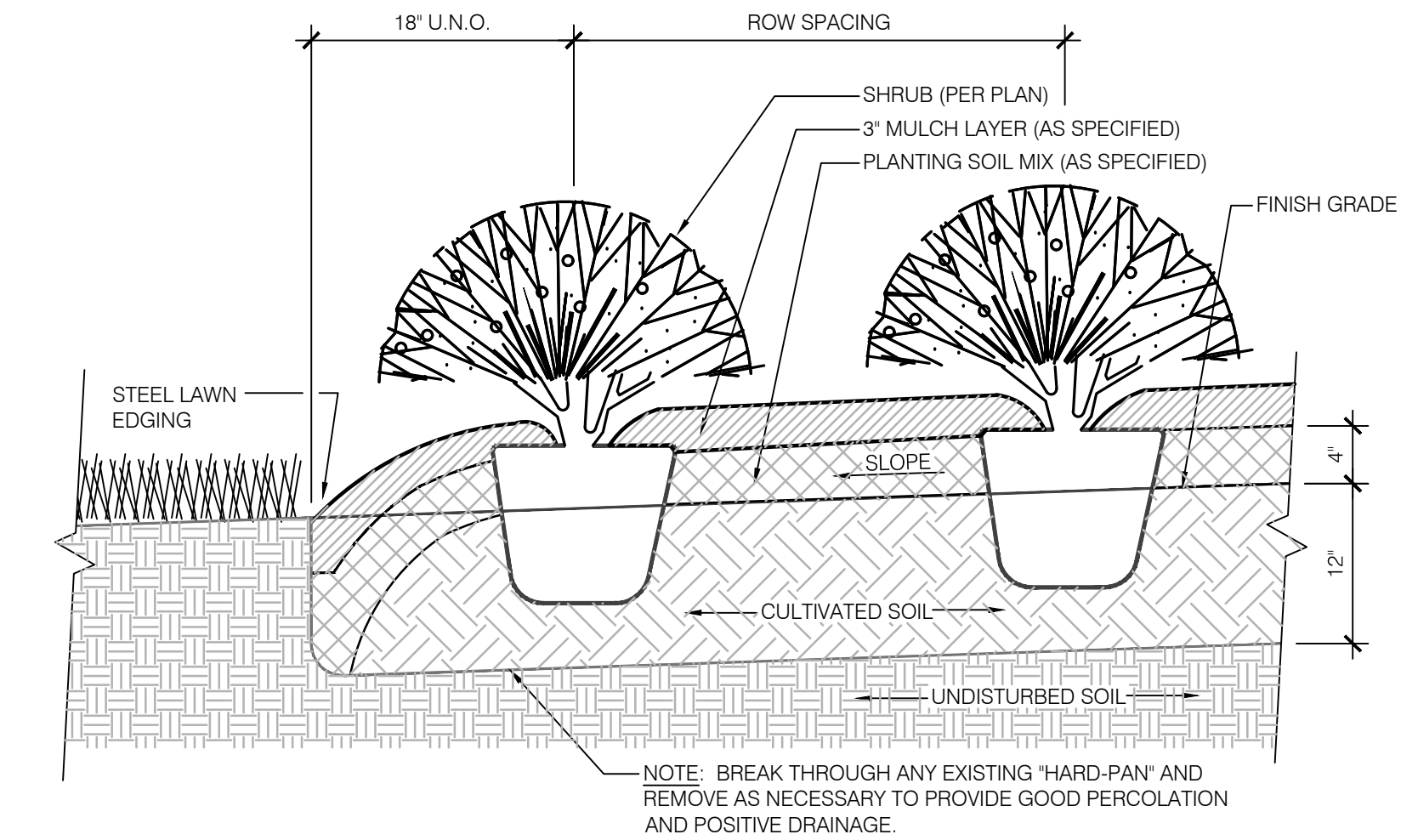
GRASSES	QTY	BOTANICAL NAME	COMMON NAME	COND.	SIZE
CK	5	Calamagrostis x acutiflora 'Karl Foerster'	Feather Reed Grass	CONT.	3 GAL.
CO	28	Calamagrostis x acutiflora 'Overdam'	Overdam Feather Reed Grass	CONT.	3 GAL.
MS	20	Miscanthus sinensis 'Adagio'	Adagio Eulalia Grass	CONT.	3 GAL.
PS	175	Panicum virgatum 'Shenandoah'	Switch Grass	CONT.	3 GAL.
PK	31	Pennisetum alopecuroides 'Karlay Rose'	Fountain Grass	CONT.	3 GAL.

PERENNIALS	QTY	BOTANICAL NAME	COMMON NAME	COND.	SIZE
AB4	98	Ajuga reptans 'Burgundy Glow' Plant at 12" O.C.	Burgundy Glow Bugleweed	Cont.	4" Pot
CI	575	Carex x 'Ice Dance' Plant at 24" O.C.	Ice Dance Sedge	Cont.	1 Gal or 4" Pot
GR	640	Geranium x 'Rozanne' TM Plant at 24" O.C.	Hybrid Cranesbill	Cont.	1 Gal.
HO	643	Hemerocallis x 'Stella de Oro' Plants at 18" O.C.	Stella de Oro Daylily	Cont.	1 Gal.
HG	76	Hosta x 'Guacamole' Plant at 36" O.C.	Plantain Lily	Cont.	1 Gal.
LB	1,747	Liriope muscari 'Big Blue' Plant at 12" O.C.	Big Blue Lilyturf	Cont.	1 Gal or 4" Pot
NW	86	Nepeta x faassenii 'Walkers Low' Plant at 24" O.C.	Walkers Low Catmint	Cont.	1 Gal.
SA	177	Sedum spectabile 'Autumn Fire' Plant at 24" O.C.	Showy Stonecrop	Cont.	1 Gal.



03 PERENNIAL/ GROUND COVER PLANTING DETAIL

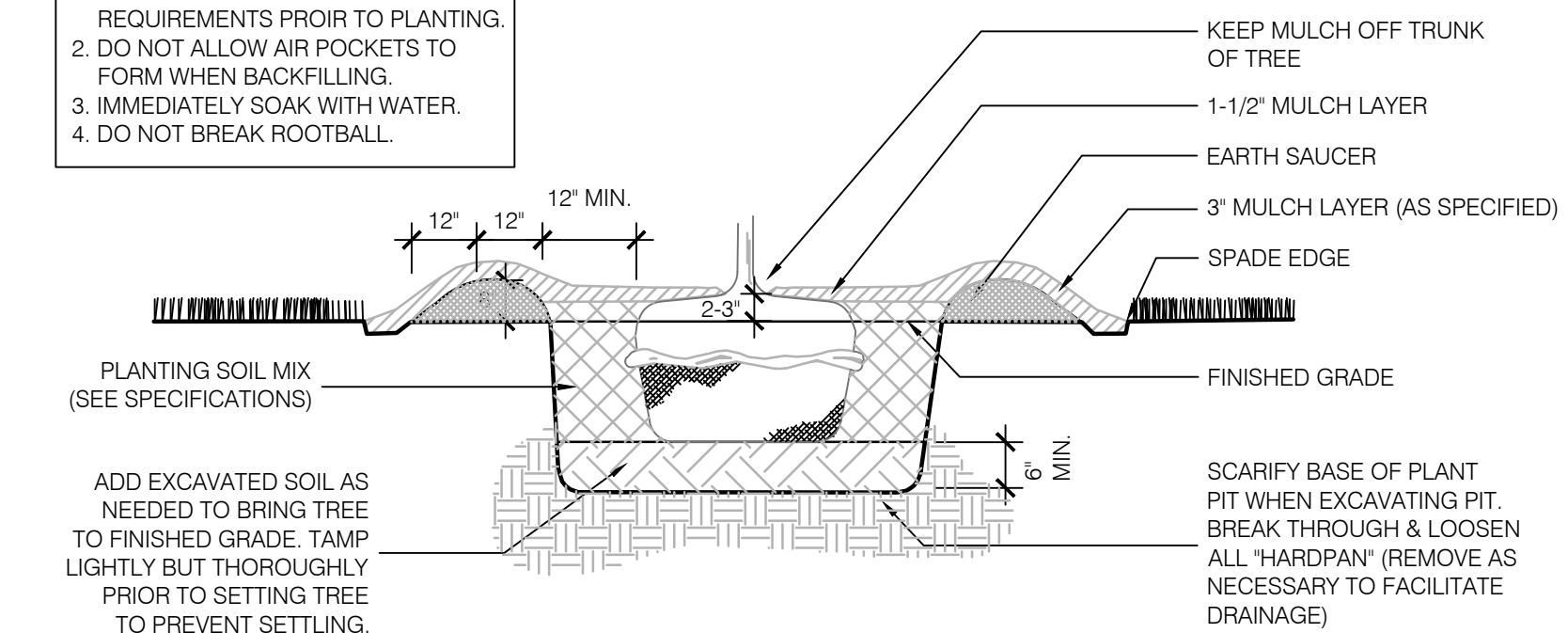
C720 SCALE: 1"=1'-0"



02 SHRUB PLANTING DETAIL

C720 SCALE: 1"=1'-0"

- GENERAL NOTES:
- SEE SPECIFICATIONS FOR DRAINAGE REQUIREMENTS PRIOR TO PLANTING.
 - DO NOT ALLOW AIR POCKETS TO FORM WHEN BACKFILLING.
 - IMMEDIATELY SOAK WITH WATER.
 - DO NOT BREAK ROOTBALL.

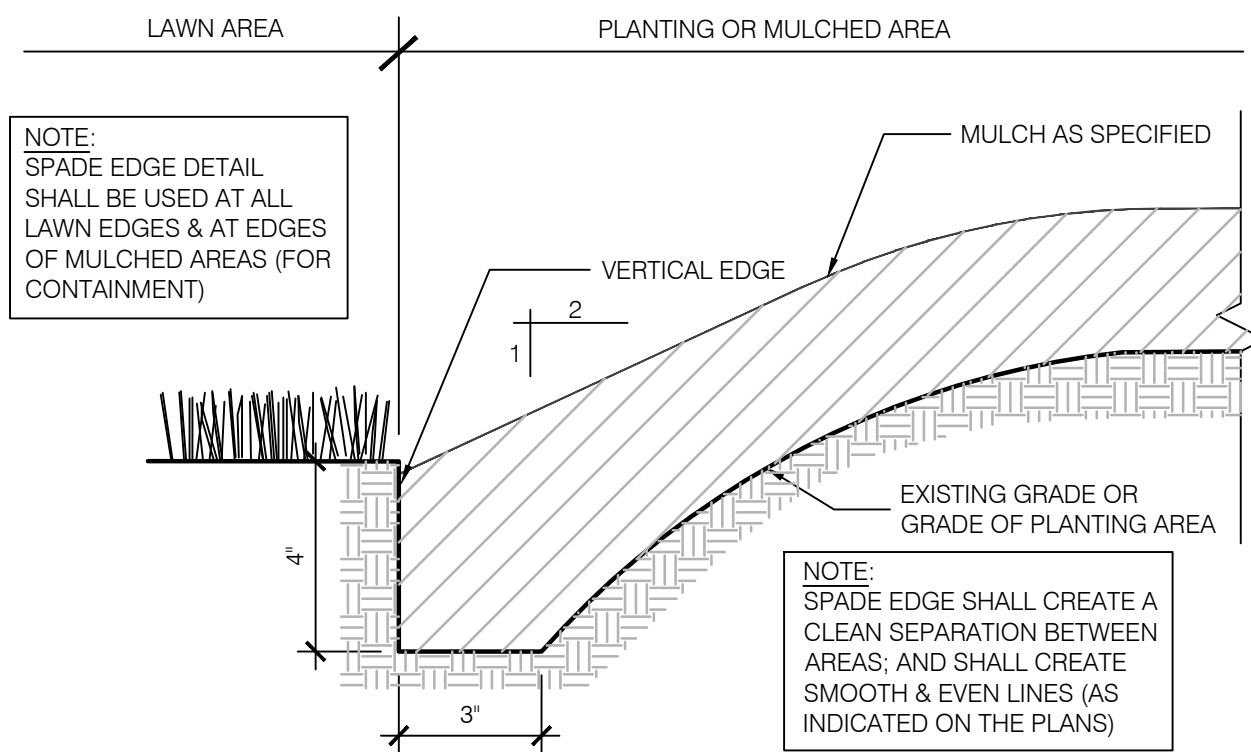


PLANTING PROCEDURE

- EXCAVATE ROOTBALL PIT.
- COMPLETE BACKFILLING, CONSTRUCT SAUCER, SPADE EDGE & ADD MULCH.
- SET TREE SUCH THAT TOP OF ROOTBALL IS 2-3" HIGHER THAN FINISHED GRADE.
- BACKFILL WITH SOIL MIX & WATER IN.
- STAKE & GUY SECURELY (AS REQUIRED).

01 HEDGE PLANTING DETAIL

C720 SCALE: 1/2"=1'-0"



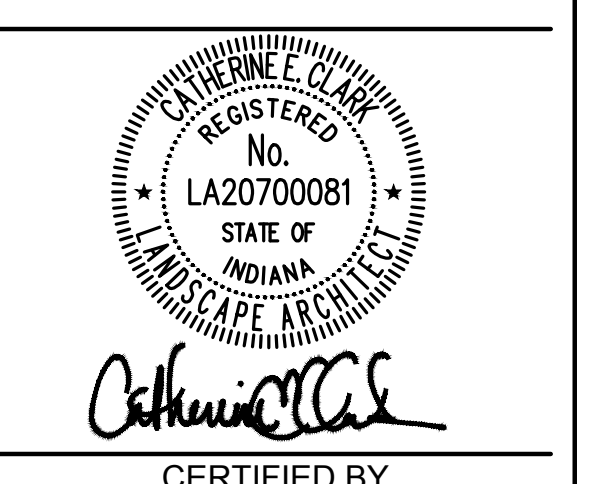
04 SPADE EDGE DETAIL

C720 SCALE: 3"=1'-0"



ECHO PARK AT PERRY CROSSING

2600 STOUT HERITAGE PARKWAY PLAINFIELD, IN



CERTIFIED BY

ISSUANCE INDEX	
DATE:	04/21/2017
PROJECT PHASE:	CONSTRUCTION DOCUMENTS

REVISION SCHEDULE		
NO.	DESCRIPTION	DATE
▲	ADDENDUM B	08/18/17
▲	MONUMENT SIGN	01/08/18
▲	STOUT REVS	04/04/18
▲	SWPPP REV	06/05/18
▲	GARAGE ADDITIONS	08/24/18
▲	DRC COMMENTS	09/14/18

Project Number 2016.01664

LANDSCAPE DETAILS & TABLE

C720

PLOT DATE: 9/14/2018 9:42 AM PLOT SCALE: 1/2"=1'-0" DRAWING FILE: P:\2016\01664\Drawings\Civil\Construction Documents\2016.01664.CE.C720.LP.dwg EDITED BY: CCLARK DATE: 9/14/2018