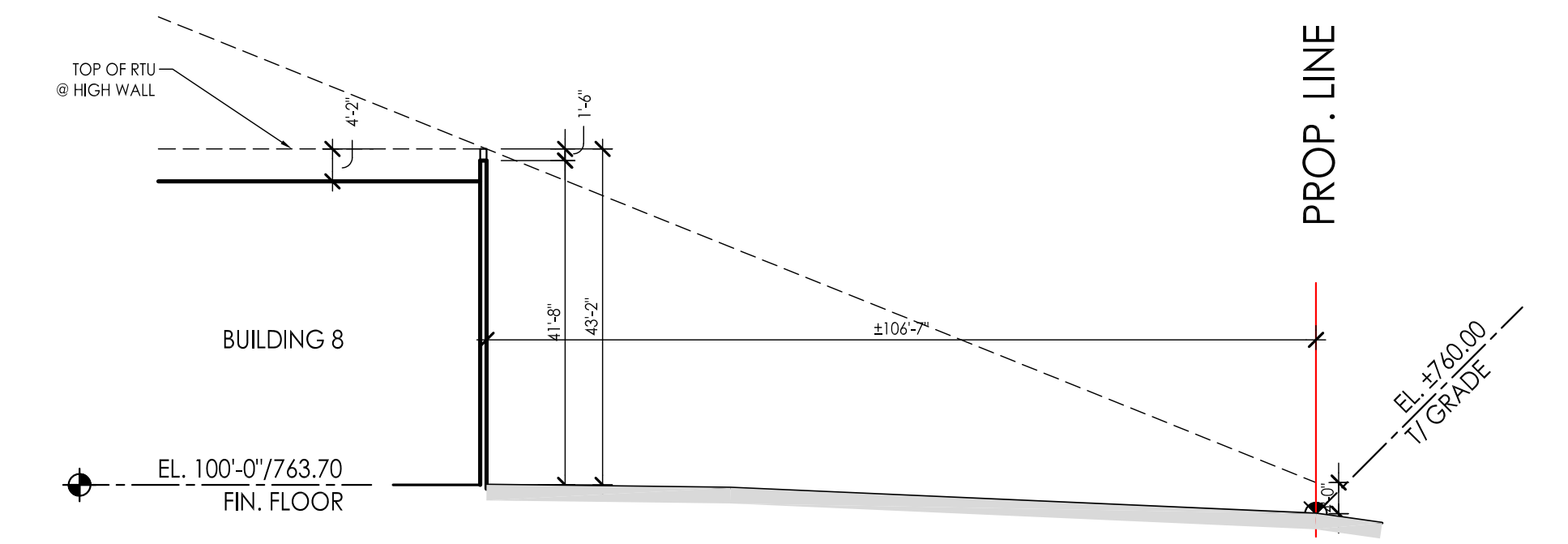
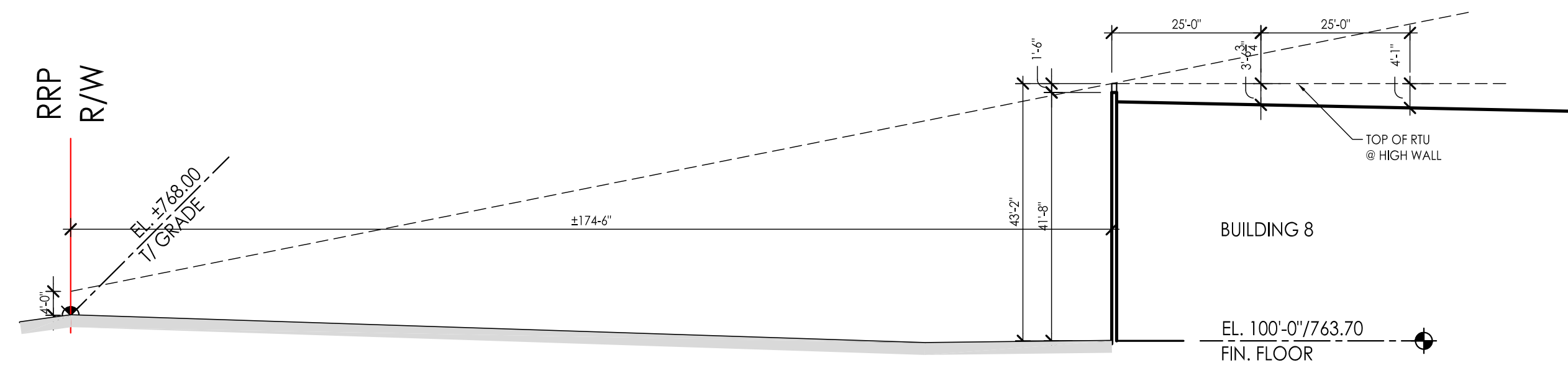


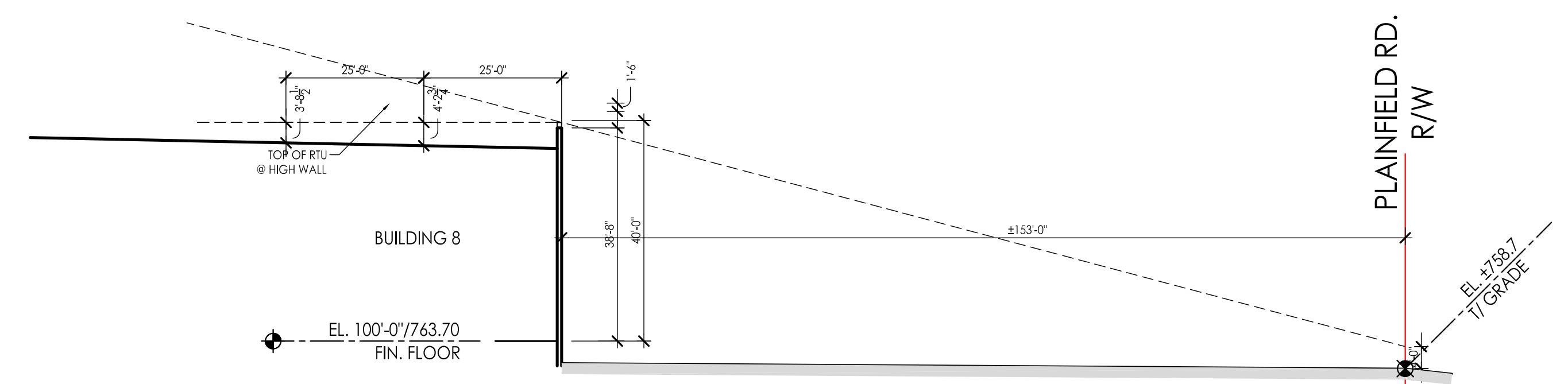
**CROSS SECTION AA**  
1" = 20'-0"  
0 5 10 20 40'



**CROSS SECTION BB**  
1" = 20'-0"  
0 5 10 20 40'



**CROSS SECTION CC**  
1" = 20'-0"  
0 5 10 20 40'



**CROSS SECTION DD**  
1" = 20'-0"  
0 5 10 20 40'